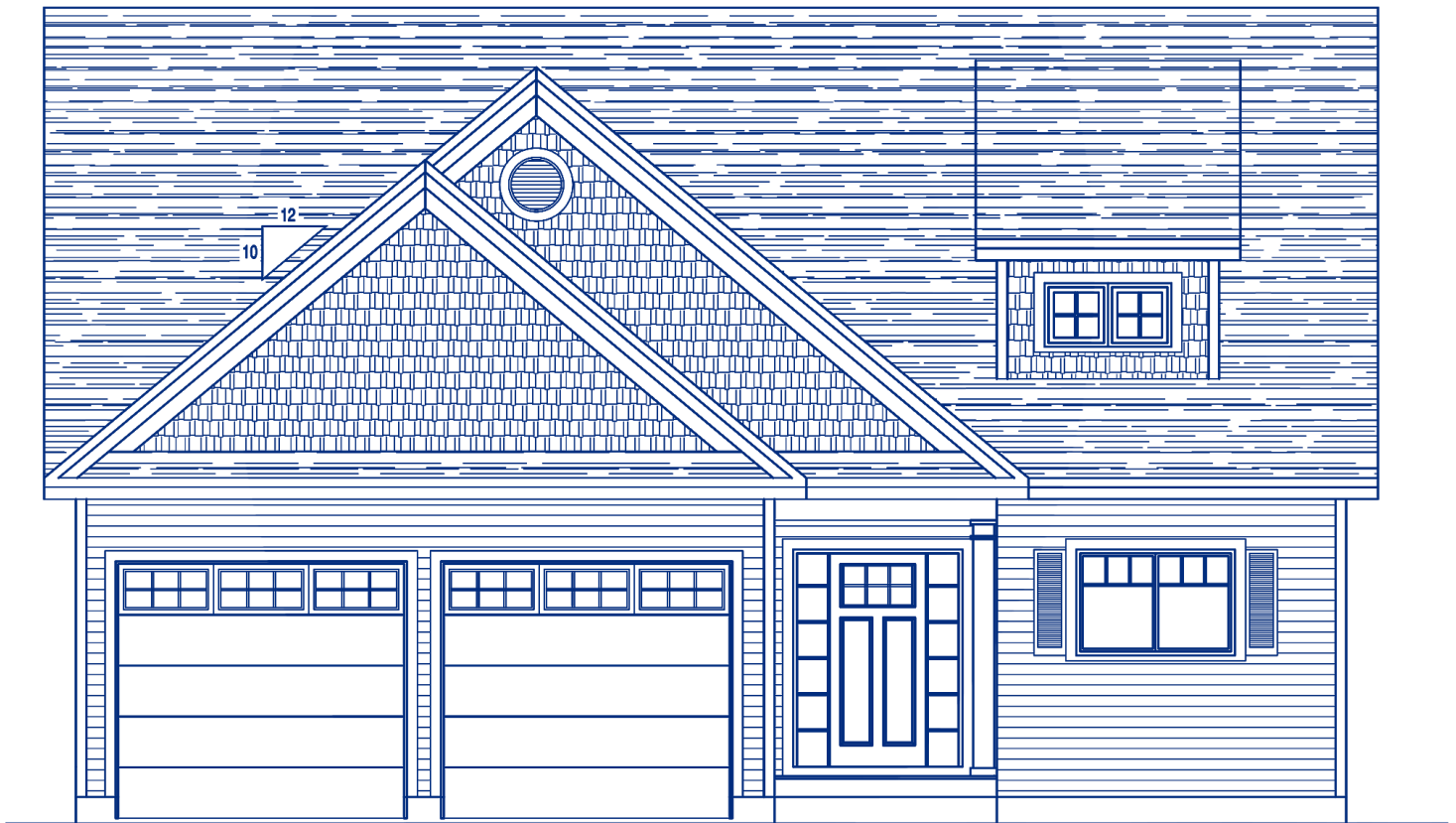


Jasper (2263 Sq ft) – Front



Jasper – Rear



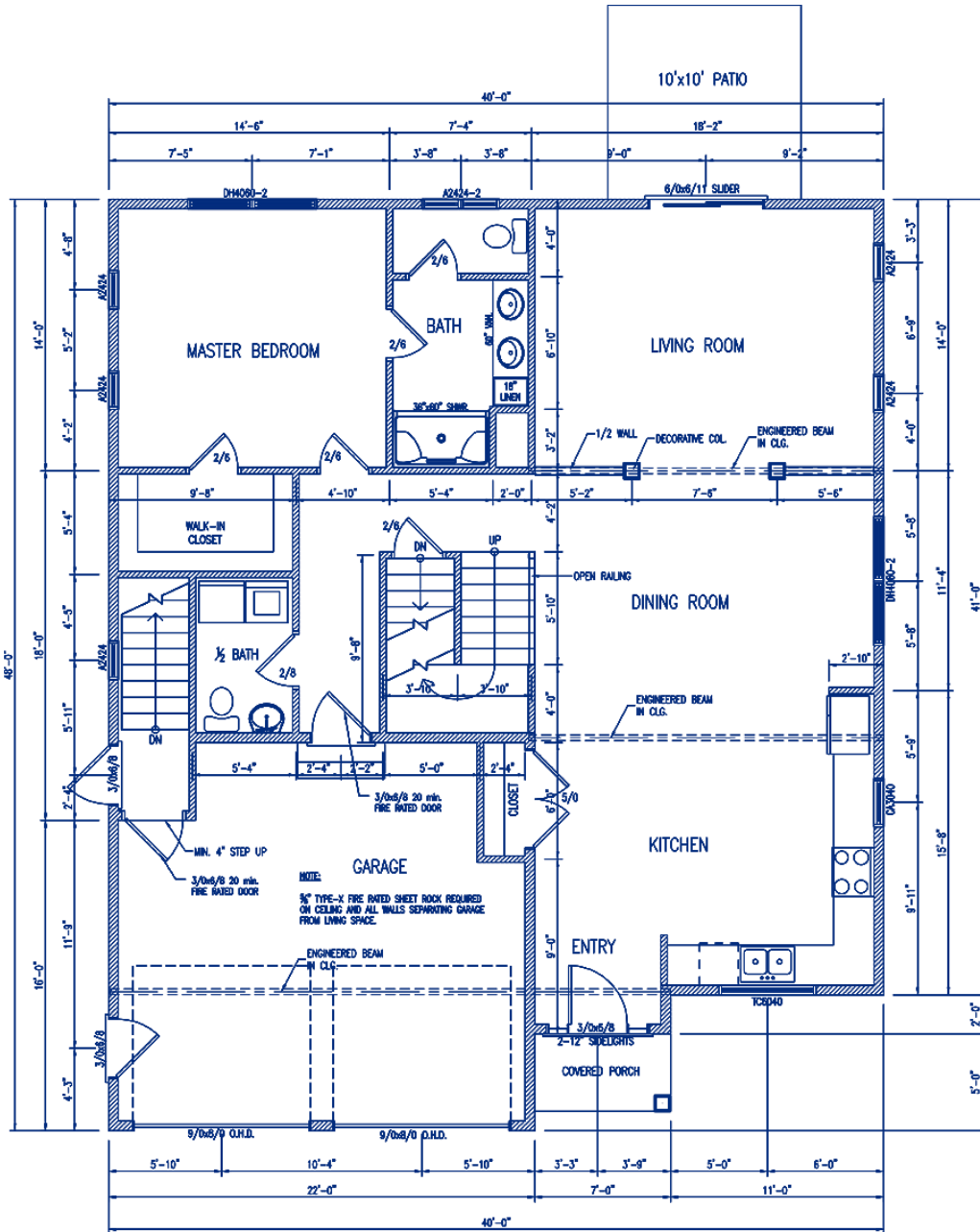
Jasper – Left



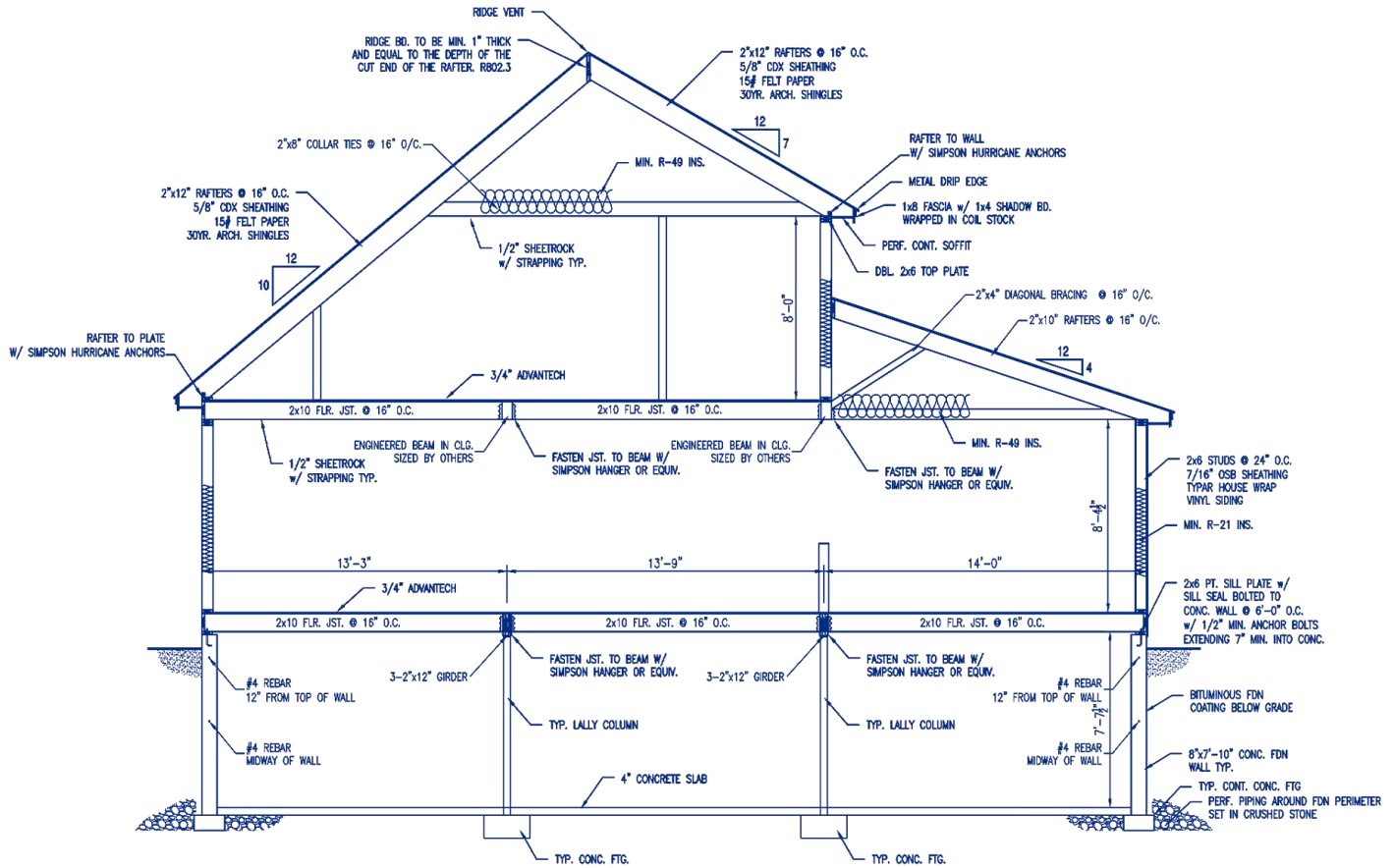
Jasper – Right



Jasper – First Floor Plan



Jasper – Cross Section



Kitchen – Perspective 1



Kitchen – Perspective 2



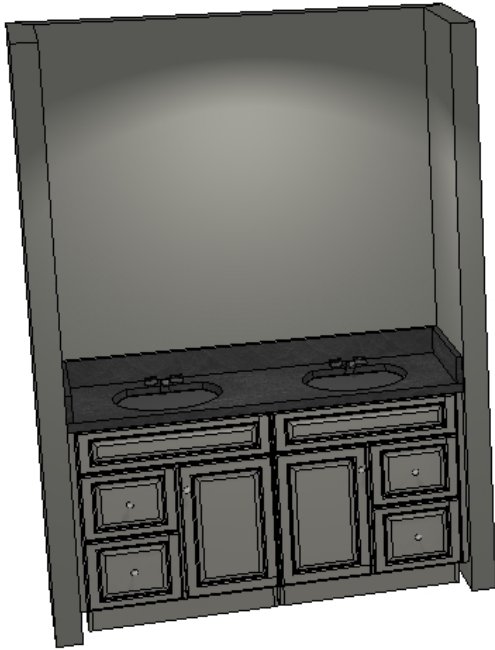
Kitchen – Perspective 3



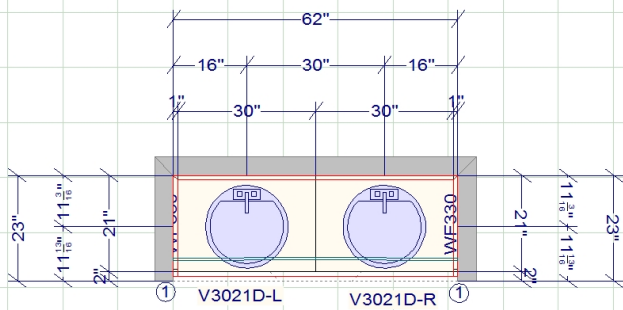
Kitchen – Perspective 4



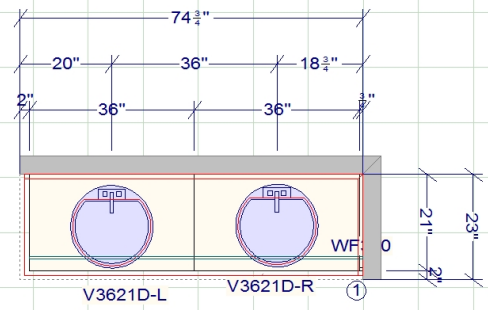
Vanities



Vanity Plans



Guest



Master

JSI Plymouth Allwood Dovetail Drawers with 3/4" Ext Side Mount Glides No Crown

1-Cut Fillers to Fit on Site

Level One Granite Standard Edge and Backsplash with White UM Sinks

Approved by: _____

Date: _____