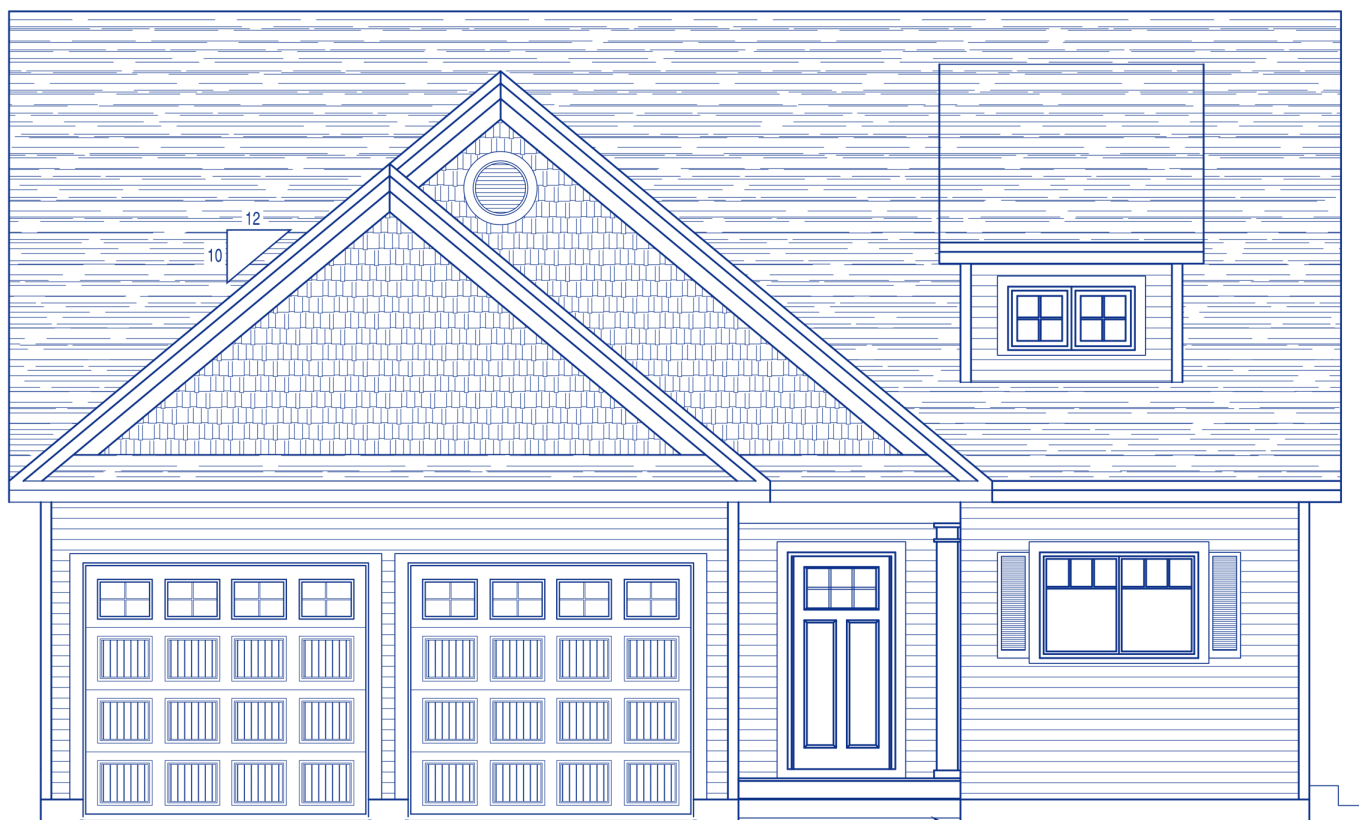
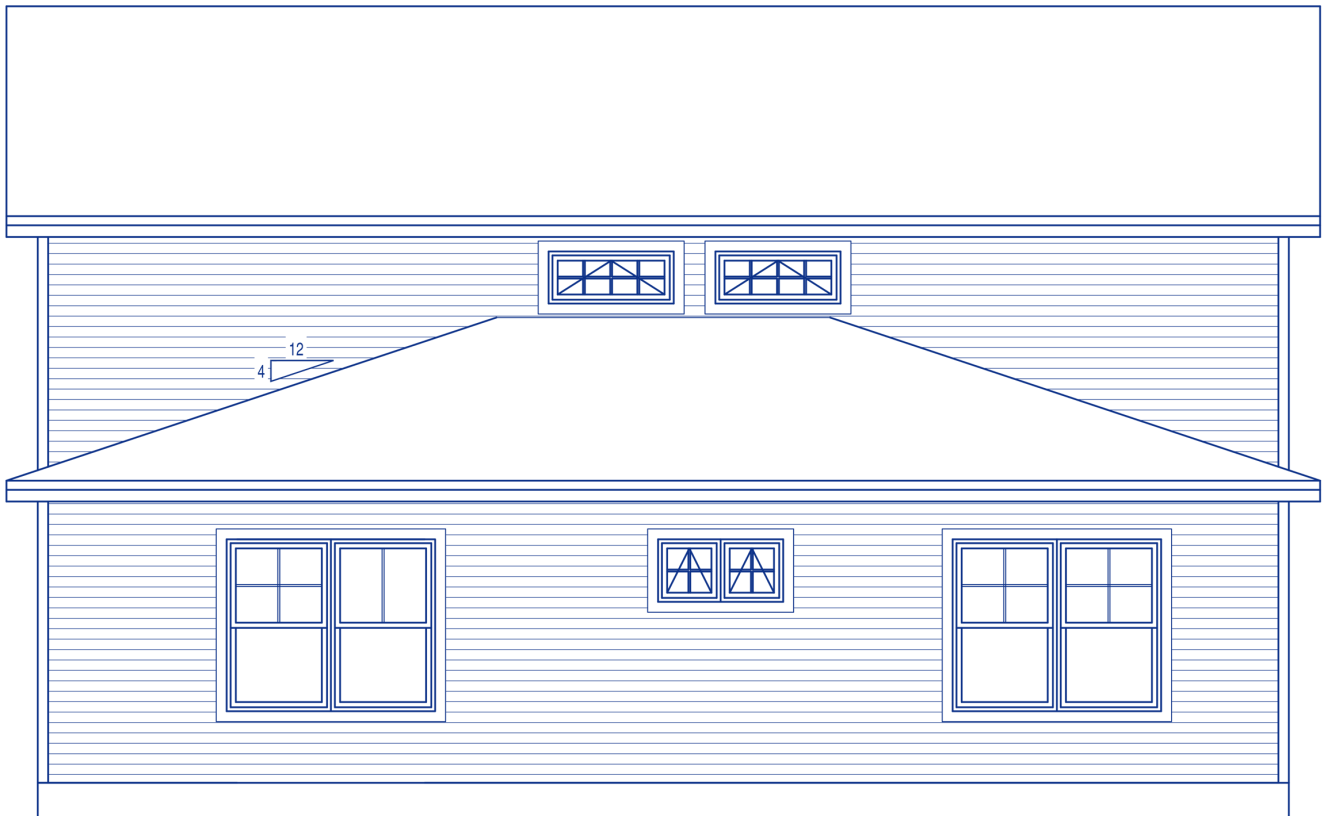


Exhibit B

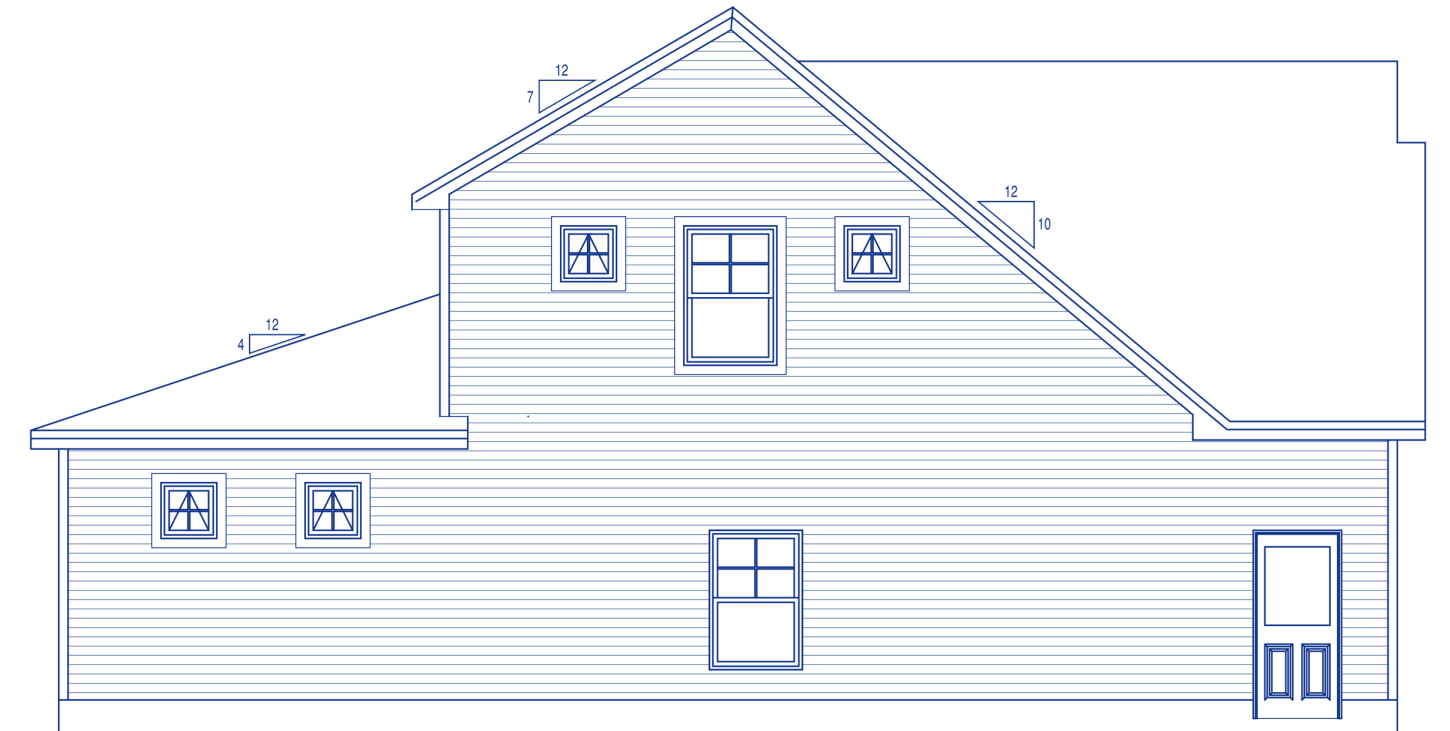
The Jasper (2,263 sq ft) – Front



The Jasper – Rear



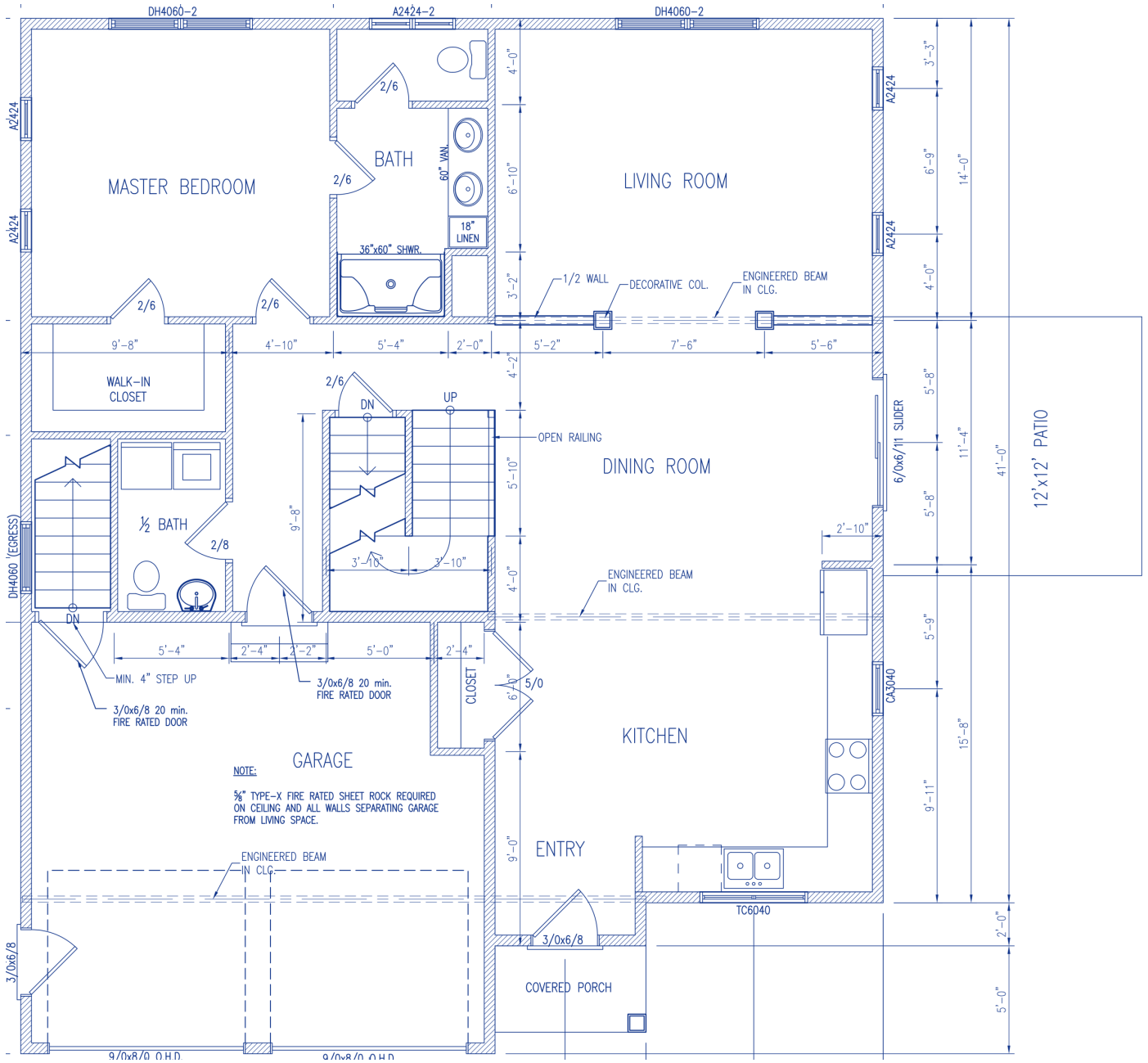
The Jasper – Left



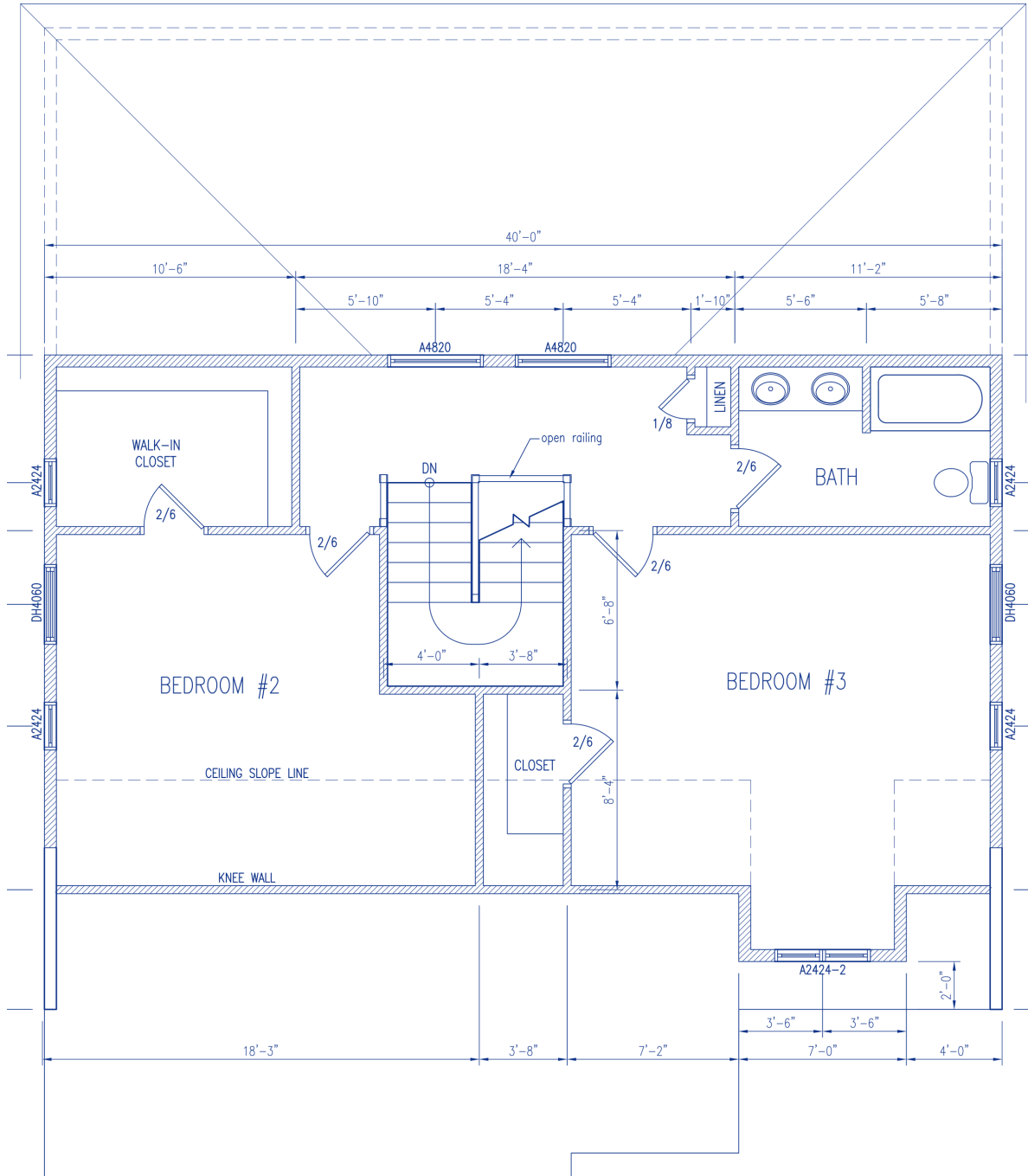
The Jasper – Right



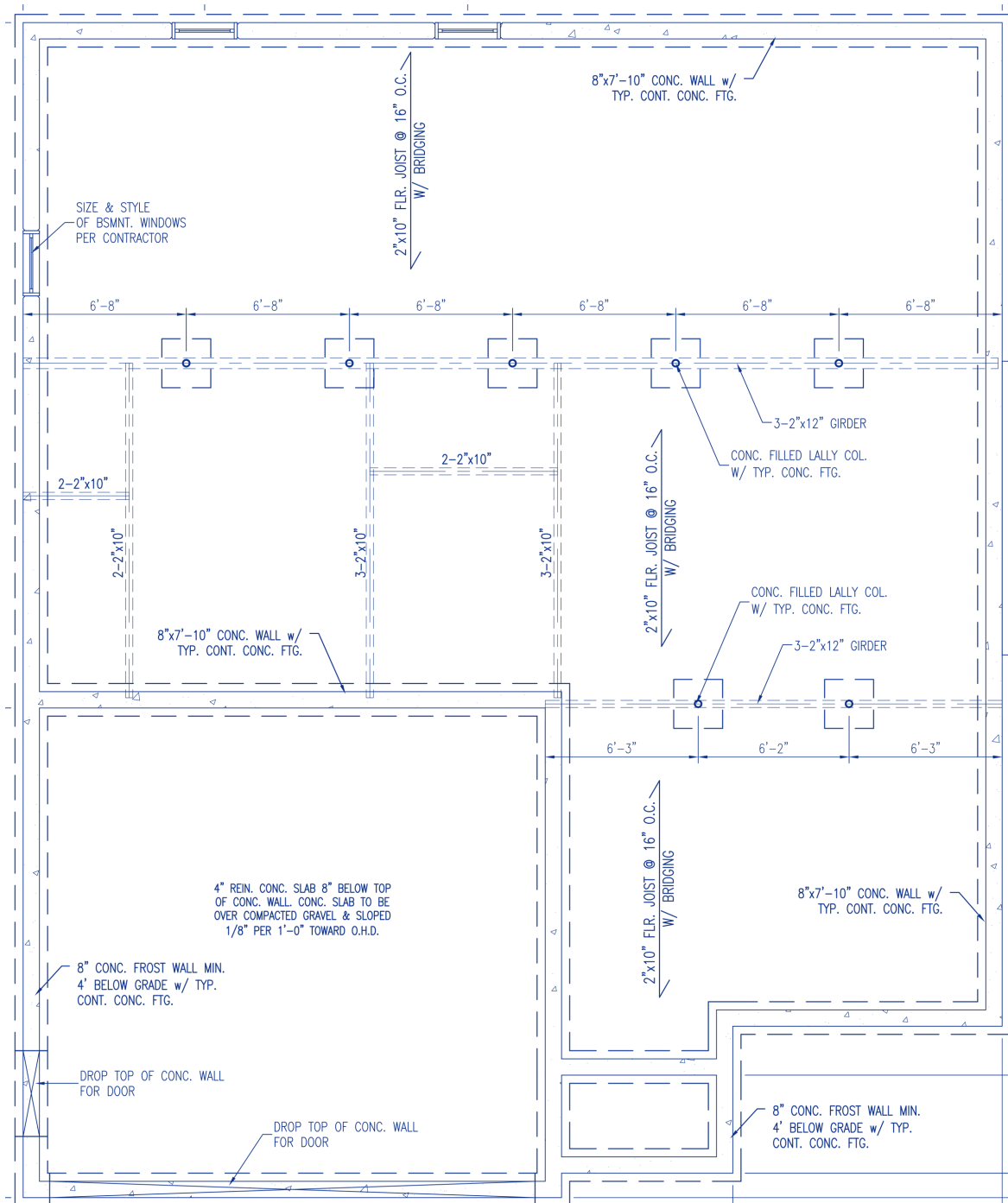
The Jasper – First Floor Plan



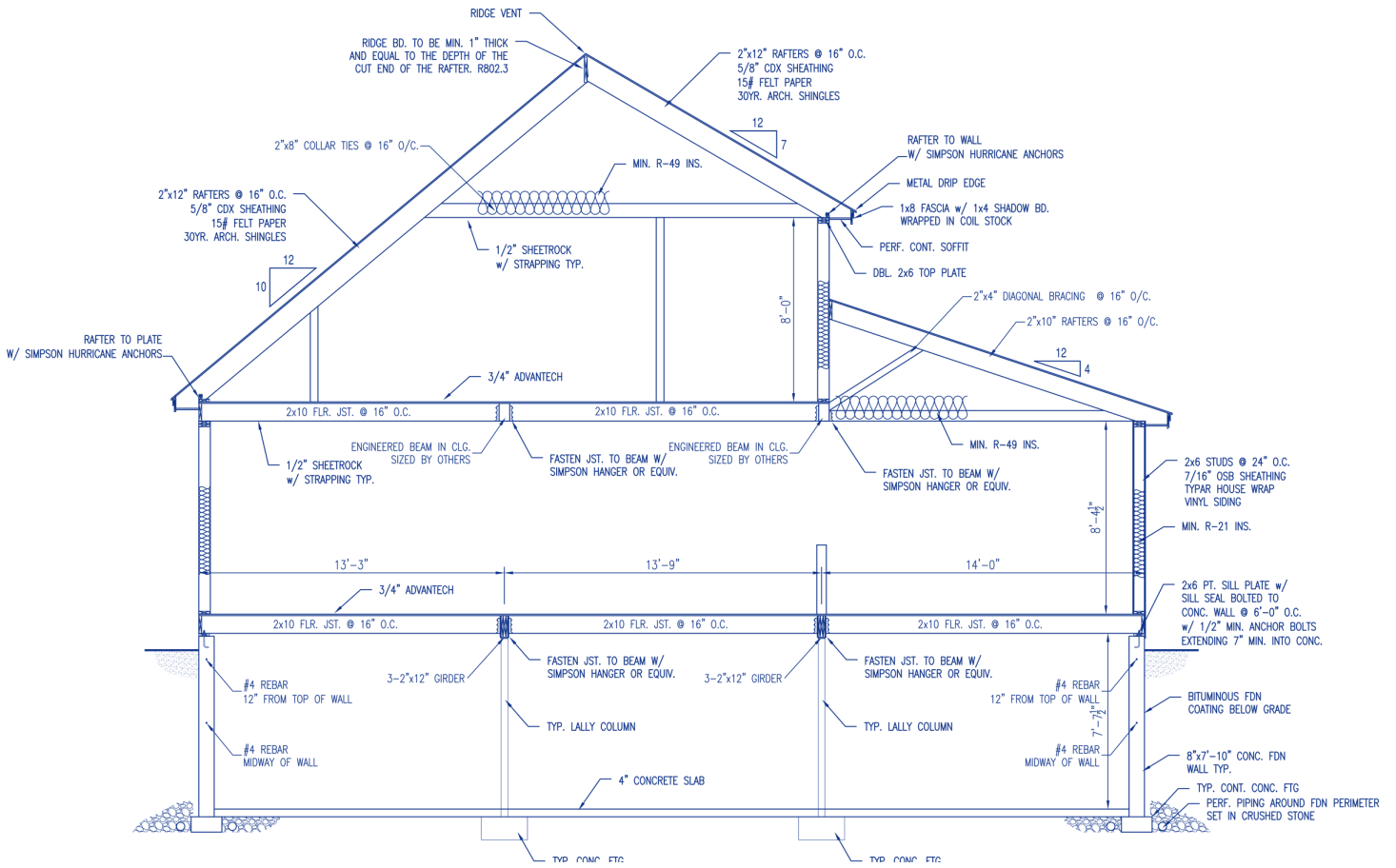
The Jasper – Second Floor Plan



The Jasper – Foundation Plan



The Jasper – Cross-section



Kitchen – Perspective 1



Kitchen – Perspective 2



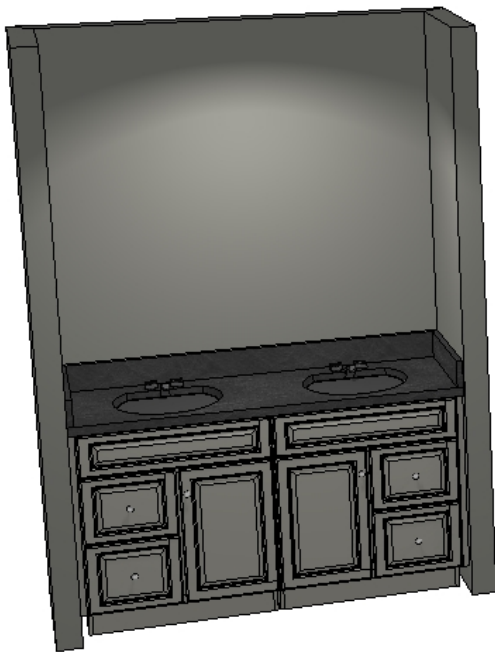
Kitchen – Perspective 3



Kitchen – Perspective 4



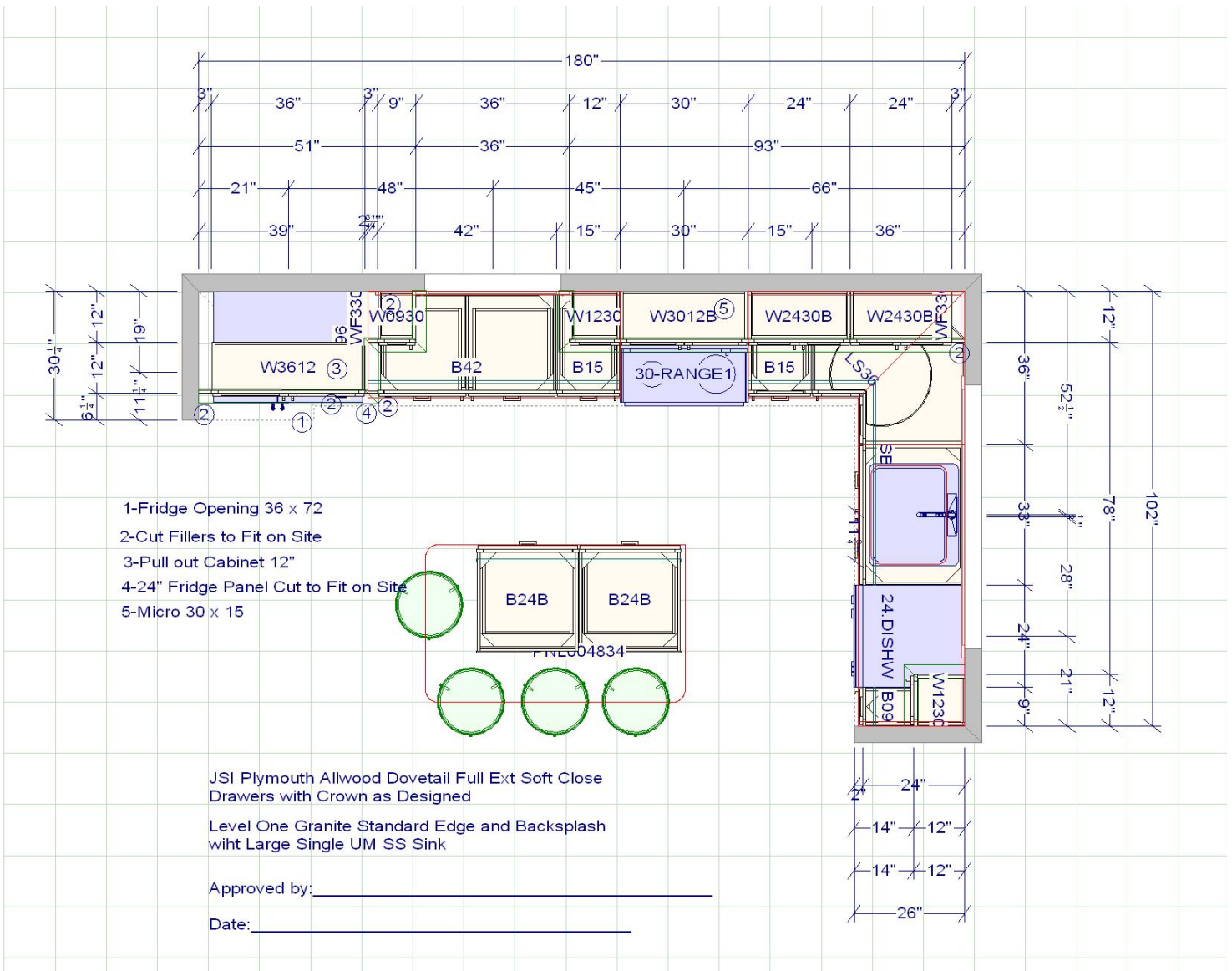
Vanities



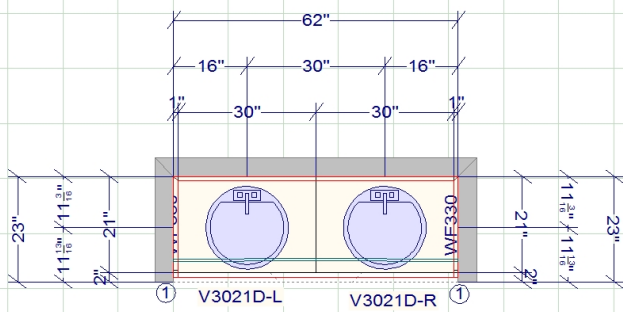
Master Vanity



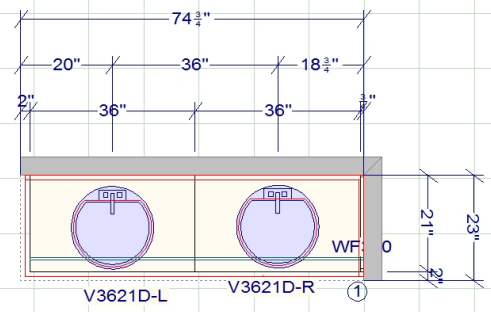
Kitchen Plan



Vanity Plans



Guest



Master

JSI Plymouth Allwood Dovetail Drawers with 3/4" Ext Side Mount Glides No Crown

1-Cut Fillers to Fit on Site

Level One Granite Standard Edge and Backsplash with White UM Sinks

Approved by: _____

Date: _____